



ANSEC

WALL CABINETS



Features

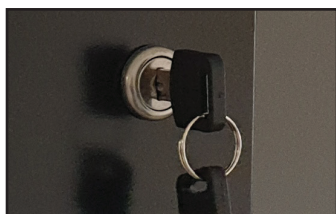
- Flat packing and patent frame, packing time is less than 5 minutes, around 1/3-1/4 assembled original volume when flat pack
- Cable entry on both of top cover and bottom panel
- Steel front door, opening direction of door can be changed, turning angle of front door is over 180 degrees
- Different optional style of doors
- Wall mounted panel, convenience for installation, locked from inside with screw, avoiding to be stolen or accidentally dropped
- Flat side panel, easy installation
- Installation depth of mounting profile can be changed
- Safety class rating IP20
- Lockable safety-glass door with steel frame
- 210° door opening angle
- 1-point-locking-mechanism on the front door
- Side panels are lockable and removable
- Max. installation depth: 450 mm
- Cable entry on the rear side and base with plastic cover and top with sliding cover
- Roof is prepared for fan units (punched out entries)
- Ventilation slots for active and passive ventilation and ex-hausting
- Several earthing points for rack components
- Incl. installation set (screws, cage nuts, washers)
- Rack is completely mounted
- Equipment mounting depth min.-max.: 320-450 mm
- Front door: Glass door
- Cabinet type: Wall mounting cabinet



RACK & CABINET SOLUTIONS

Accessories

Accessories / Model	6U	9U	12U	15U
1U floor cabinet tray 250mm depth	•	•	•	•
2U floor cabinet tray 350mm depth	-	-	-	-
Floor cabinet slip tray 550mm depth	-	-	-	-
Floor cabinet slip tray 350mm depth	•	•	•	•
Blank panel	•	•	•	•
Thermostat for rack cabinets	•	•	•	•
Patch panel 24 ports	•	•	•	•
Cable management	•	•	•	•
PDU	•	•	•	•
Fan	•	•	•	•



Lock



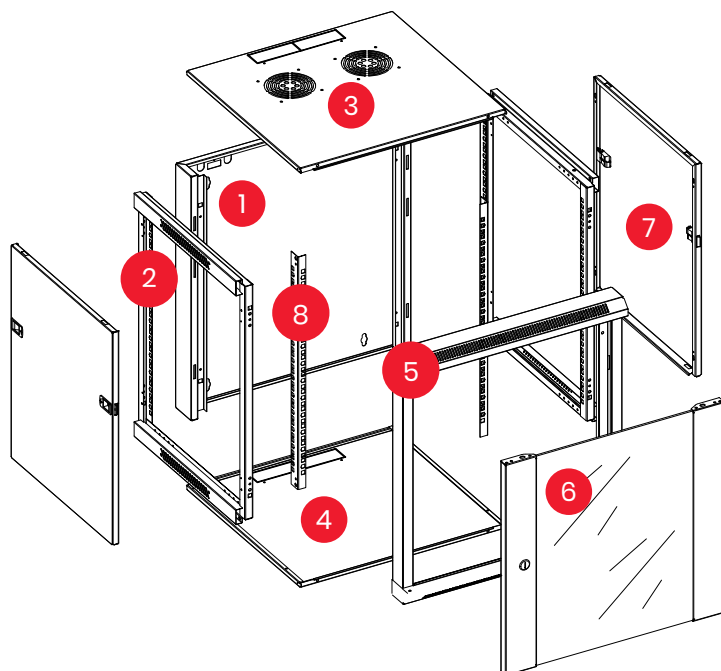
Removable side panels



19" Rails

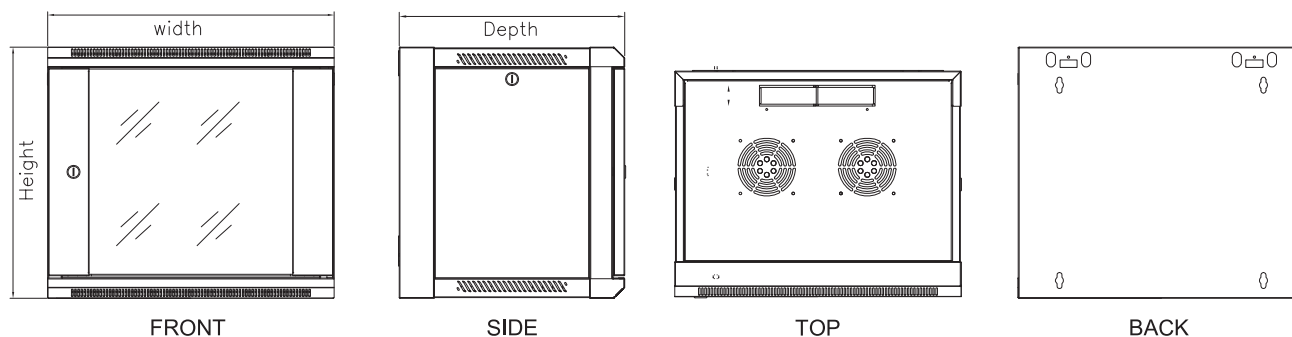


Fan Space



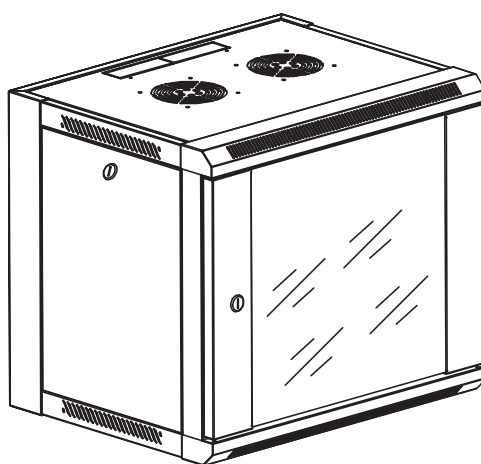
Main parts

1. Back Frame
2. Side Frame
3. Top cover
4. Bottom
5. Front Frame
6. Front Door
7. Side Panel
8. 19" Rails



Specification

Model	With (mm)	Depth (mm)	Height(mm)	Note
6U	600	450	370	Lockable front door
6U	600	600	370	Lockable front door
9U	600	450	500	Lockable front door
9U	600	600	500	Lockable front door
12U	600	450	635	Lockable front door
12U	600	600	635	Lockable front door
15U	600	450	770	Lockable front door
15U	600	600	770	Lockable front door



Product overview

The Network Cabinet Unique Series was designed and produced for cabling and networking components. Several optimizations result in a perfect performance between quality and added value. Each cabinet is designed with strength, ease of use and aesthetics in mind. The front door consists of a complete metal frame with safety glass. The door stop can be changed easily from left to right. The lockable pivot lever is ready for profile half cylinders (adapter included). All side panels are lockable and detachable. Every cabinet is equipped with galvanized 483 mm (19") profile rails, mounted left and right on the front and rear side. They are adjustable in depth and with height unit marking. The vertical cable management ducts are mounted on the front side.



RACK & CABINET SOLUTIONS



ANSEC

www.ansecnetwork.com

