

# 24 Port Ethernet/Fiber Hybrid Full Gigabit Managed Switch

6KV Surge Immunity | Full Gigabit | Redundant Power Supply

## AS-16SF8B-M2SG



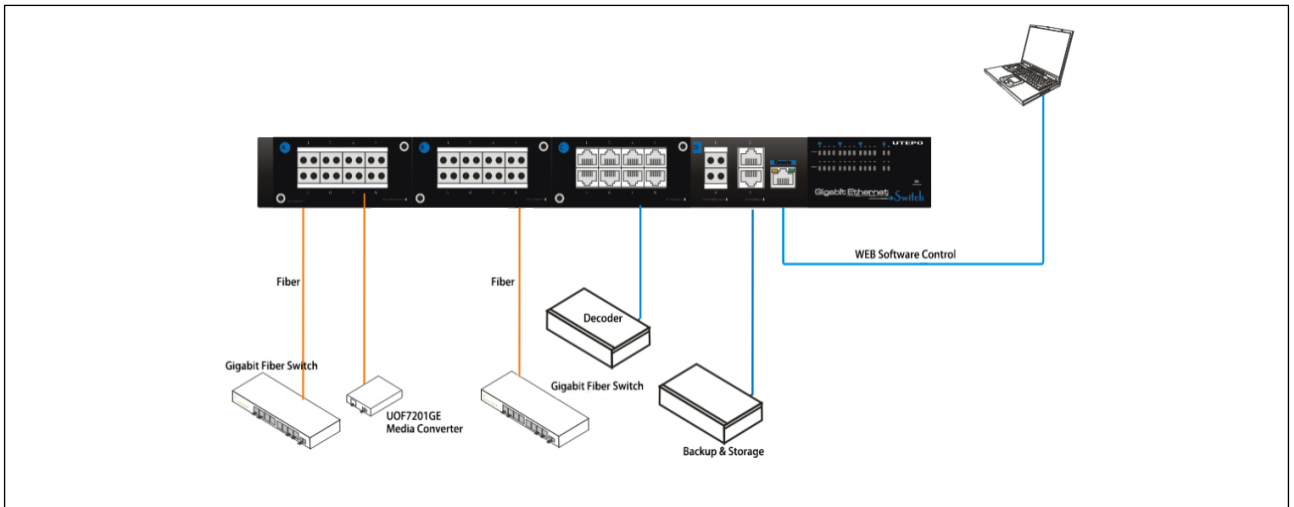
- 16\*1000Base-X SFP ports + 8\*10/100/1000Base-T RJ45 ports
- 2\*10/100/1000Base-T Uplink RJ45 ports + 2\*1000Base-X Uplink SFP ports
- Support Web-based network management, support VLAN, QoS, RSTP, SNMP etc. network function
- High speed data forwarding, ideal solution for security monitoring which is requesting the forwarding of large flow video data
- Support one-key recovery IP address and user password
- Provide dual power supply redundancy backup to improve system reliability
- Easy to install & operate, support installation of desktop and 19 inch standard rack



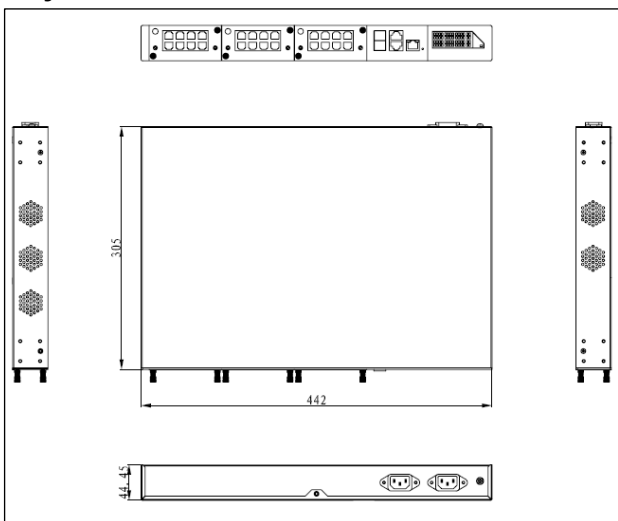
## Overview

Providing 16\*1000Base-X SFP ports + 8\*10/100/1000Base-T RJ45 ports + 2\*10/100/1000Base-T Uplink RJ45 ports + 2\*1000Base-X Uplink SFP ports, UTP7524GE-16GF8GT is an Ethernet/ Fiber hybrid full gigabit managed switch, which is used in the aggregation layer in security surveillance system or engineering network system.

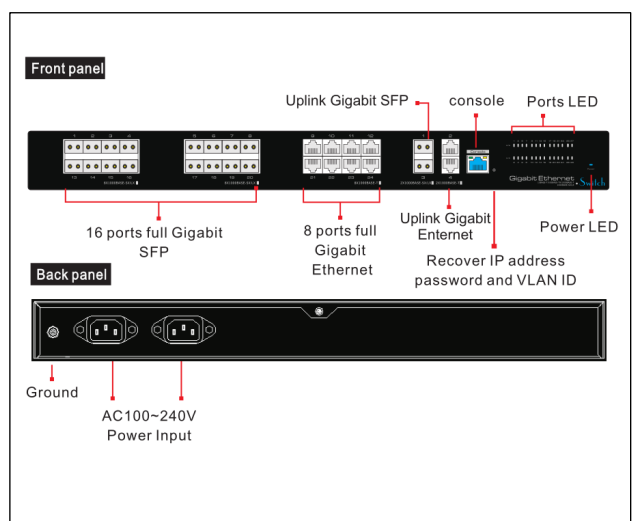
## Application



## Physical Features



## Interface drawing



**Parameter**
**Hardware Parameter**

Model	AS-16SF8B-M2SG
Downlink Ports	16*1000Base-X SFP ports + 8*10/100/1000Base-T RJ45 ports
Uplink Ports	2*10/100/1000Base-T Uplink RJ45 ports + 2*1000Base-X Uplink SFP ports
Standard	IEEE802.3 , IEEE802.3u, IEEE802.3ab, IEEE802.3z, IEEE802.3x, IEEE 802.1Q IEEE 802.1p IEEE 802.3ad , IEEE 802.1D, IEEE 802.1X
Bandwidth	56Gbps
Packet Transfer Rate	42Mpps
Exchange Way	Store and Forward
Buffer	12M
MAC Address	16K
Surge Immunity	6KV Per: IEC61000-4-5
ESD Protection	6KV Contact discharge 8KV Air discharge Per: IEC61000-4-2
Input Voltage	100~240V AC, 50/60Hz
Power Consumption	<60W
Operation Temperature	-10°C~50°C
Storage Temperature	-40°C~85°C
Operation Humidity	5%-95% (No- condensation)
Dimension(LxWxH)	442mm×305mm×44.5mm
Weight	4.35kg
Authentication	CE, FCC, ROHS

**Software Parameter**

Port Management	Support Port Enable/Disable
	Support Port Rate Settings
	Support Port Full-duplex Mode
	Support IEEE802.3x Flow Control
	Support Port Name Change
VLAN	Support 4K VLAN
	Support 802.1Q Protocol-Based VLAN
	Support Port-Based VLAN
QoS	Support QoS
	Support 8-Level Priority management for switching
	Support WRR
	Support 820.1P and DSCP Priority

Multicast Management	Support SNMP V1/V2/V3 Protocol
	Support IGMP Snooping
Safety Character	Support IP、MAC、Port、VLAN Combination and Binding
	Support MAC address auto-learning, aging& filter
	Support Port Isolation, Port Speed-Limited
	Support RSTP
	Support Fast-Ring
	Support 5 groups of 8-Port trunk
	Support RADIUS Authentication& 802.1X Authentication
System Management& Maintenance	Support WEB Management, CLR Settings and telnet Settings
	Support CLR Settings
	Support FTP/TFTP/HTTP Web Upgrading
	Support Flow Calculate
	Support MAC address Form Search
	Support IP Address, DNS Server Change
	Support Username& Password Change
	Support History Record, Journal management
	Support System settings Backup

## Package List

Item	Quantity
Managed Switch	1
AC Power Cable	1
Accessory	1
User Manual	1